

# BM2600B BLUE MAXX

HIGH PRESSURE WASHER

## Electric Pressure Washer

### ASSEMBLY, CARE AND USE INSTRUCTIONS Model BM2600B 2600 PSI

**IMPORTANT, RETAIN FOR FUTURE  
REFERENCE: READ CAREFULLY.**

**ATTACH RECEIPT TO MANUAL**

- Quick-connect 15°, 25°
- Quick-connect rotary turbo nozzle
- High pressure foam cannon
- Total stop system



PRODUCT INFORMATION

**! WARNING:** This product can expose you to chemicals including lead, DEHP, DINP, Molybdenum trioxide which is known to the State of California to cause cancer and or lead to birth defects. For more information go to [www.P65Warnings.ca.gov](http://www.P65Warnings.ca.gov)

#### Questions, problems, missing parts?

Before returning to your retailer, please contact our Customer Service Department:  
English, call 1-888-662-9510 or email [info@arnorthamerica.com](mailto:info@arnorthamerica.com).  
French or Spanish, please email [info@arnorthamerica.com](mailto:info@arnorthamerica.com).  
Our Customer Service Department is available from 8:00 a.m. - 5:00 p.m., CST, Monday - Friday. [www.arblueclean.com](http://www.arblueclean.com).

# THANK YOU LETTER

**Dear Valued Customer,**

Thank you for choosing the AR Blue Clean electric pressure washer. We're thrilled to welcome you to the AR Blue Clean family!

This product represents over **35 years** of listening to our customers and continuously improving based on your feedback. Every feature has been thoughtfully designed to deliver powerful performance, reliability, and ease of use—so you can tackle your cleaning tasks with confidence.

Your pressure washer is backed by our **Limited 2-Years Warranty**, which covers defects in materials and workmanship for the original retail purchaser. Accessories—including the spray gun, high-pressure hose, and all included attachments—are covered under a **90-day warranty**. This warranty applies to residential and commercial use for our Pro models only, and is non-transferable.

If you have any questions or need assistance, our friendly, U.S.-based customer service team in Fridley, MN is here to help. You can reach us at **866-235-5112** or visit **ARBLUECLEAN.COM** to chat or email us directly.

**We'd love to hear about your experience!** Please take a moment to leave a review at the place of purchase. Your feedback helps us improve and helps others make informed decisions.

Thank you again—and happy cleaning!



Warm regards,

AR Blue Clean Team

## TABLE OF CONTENTS

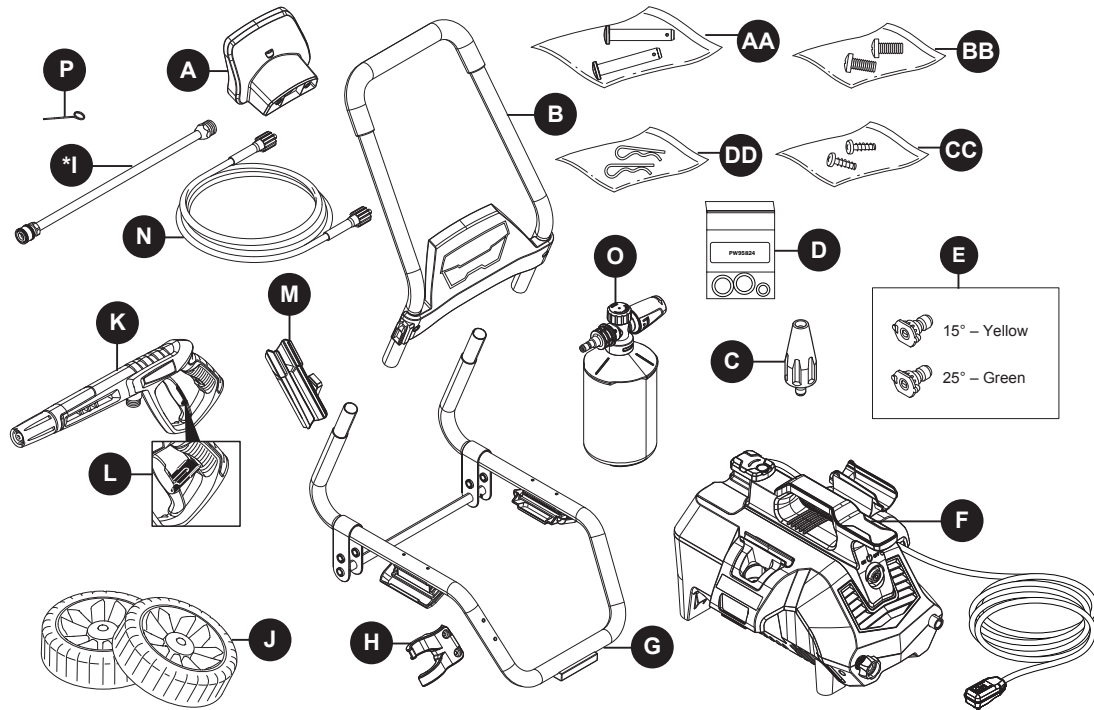
Product Specifications.....	3
Package Contents .....	4
Hardware Contents .....	4
Safety Information.....	5
Assembly Instructions.....	7
Operating Instructions .....	12
Care and Maintenance .....	14
Pump Saver.....	16
Troubleshooting.....	17
Limited Warranty .....	18
Replacement Parts List.....	19



## PRODUCT SPECIFICATIONS

SPECIFICATIONS									
Model	Max PSI (lbs/sq. in.)	Rated PSI (lbs/sq. in.)	Max GPM (Gal/per min)	Rated GPM (Gal/per min)	Cold Water	Volts	Frequency (Hz)	Amps	Weight (lbs.)
<b>BM2600B</b>	2600	2000	1.5	1.1	✓	120	60	13	40.8

## PACKAGE CONTENTS

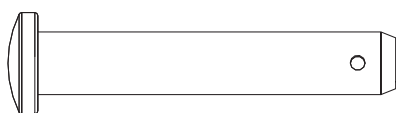


PART	DESCRIPTION	QUANTITY
A	Hose Holder	1
B	Handle	1
C	Rotary Nozzle	1
D	O-Ring Replacement Kit	1
E	Quick Connect Nozzles	2
F	Power Washer Unit	1
G	Lower Frame	1
H	Nozzle Holder	1
*I	Extension Lance	1
J	Wheels	2

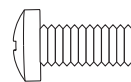
PART	DESCRIPTION	QUANTITY
K	Spray Gun	1
L	Nozzle Cleaning Wire	1
M	Spray Gun Holster	1
N	High Pressure Hose	1
O	High Pressure Foam Cannon	1
AA	Axle Pins	2
BB	Screws	2
CC	Screws	2
DD	Cotter Pins	2

\*Packaged on the power washer unit.

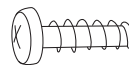
## HARDWARE CONTENTS



**AA**  $\Phi$ 12x115mm  
Axle Pins  
Qty. 2



**BB** M6x20  
Screws  
Qty. 2



**CC** 4.8x16mm  
Screws  
Qty. 2



**DD** Q235A  
Cotter Pins  
Qty. 2

## SAFETY INFORMATION

Please read and understand this entire manual before attempting to assemble and operate the product.

This manual contains information that relates to PROTECTING PERSONAL SAFETY and PREVENTING EQUIPMENT PROBLEMS. It is very important to read this manual carefully and understand it thoroughly before using the product. The symbols listed below are used to indicate this information.



### DANGER

Potential hazard that **will result in serious injury or loss of life.**



### WARNING

Hazard that **could result in serious injury or loss of life.**



### CAUTION

Potential hazard that **may result in moderate injury or damage to equipment.**

**Note:** The word “Note” is used to inform the reader of something the operator needs to know about the tool.



### WARNING

To reduce the risk of injury, the user must read and understand the instructions before using this product.

1. Warning – When using this product, basic precautions should always be followed, including the following.
2. Read all the instructions before using the product.
3. Know how to stop the product and bleed pressures quickly. Be thoroughly familiar with the controls.
4. Keep operating area clear of persons.
5. Do not overreach or stand on unstable support. Keep good footing and balance at all times.
6. Follow the maintenance instructions as specified in the manual.
7. To avoid personal injury and/or damage to property and to maximize your power washer experience, carefully follow all of the safety tips, instructions, warnings and safeguards and become familiar with all of the controls. Be sure you know how to quickly bleed off the pressure from all parts of your power washer and how to turn off the power washer.
8. This power washer conforms to CSA and other safety and consumer standards. **DO NOT** modify or rebuild any part of your power washer.
9. **DO NOT** use your power washer when you are under the influence of alcohol or drugs. Use this power tool carefully and only when you are alert.
10. Watch your balance and footing while using your power washer. Surfaces become slippery when wet and are extra slippery when using a detergent or cleaner.
11. **NEVER** operate the power washer in bare feet, sandals, or open-toed shoes.
12. When using the power washer near children, make sure they are closely supervised by an adult to avoid injury. **NEVER** let a child use the power washer.
13. Keep fingers, hands, feet and any part of your body clear of the stream of high pressure water. The powerful spray can cause blindness or blast holes in the skin. It can break a window if you are too close when you pull the trigger on the spray gun.
14. **ALWAYS** wear eye protection to prevent injury to eyes when operating the power washer.
15. To avoid mishaps or injury, **ALWAYS** use the trigger safety lock when not using the power washer even if only stopping briefly.
16. The power washer is equipped with a Ground Fault Circuit Interrupter (GFCI) (For US unit only) which greatly reduces the chance of electric shock while the unit is in use. If replacement of the plug or cord is needed, use only identical replacement parts.
17. Point the spray gun in a safe direction when beginning a power washer session.
18. Warning- **NEVER** spray directly at a person, animal, electrical device or the unit itself.
19. When first using the spray gun, hold the spray gun and lance with two hands when pulling the trigger (one hand to pull the trigger and the other to stabilize the gun assembly) until you get used to the “kickback” from the spray gun.
20. When you press the power switch to turn off the power washer, waterpressure may remain in the system. To discharge the pressure, point the spray gun in a safe direction and pull the trigger.
21. **NEVER** spray flammable liquids.
22. **NEVER** use the power washer in areas that contain combustible dust, liquids or vapors.
23. Avoid contact of the pressure hose with sharp objects and examine the hose regularly. Replace if damaged. Due to the high pressure involved, it cannot be repaired if cut or damaged.
24. Only use detergent specifically formulated for power washers and follow instructions on

## SAFETY INFORMATION

the detergent's label. Dish or laundry soap is too thick and will clog the nozzle of your foam cannon.

25. Protect eyes, lungs, and skin from exposure to detergent.
26. Warning-If connection is made to a potable water system, the system Should be protected against backflow.



### CAUTION

Store the power washer indoors to prevent the water in the unit from expanding under freezing conditions. When the water freezes and expands, your power washer will be damaged and become inoperable. Or, if storing outdoors, it is recommended you use pump saver (not included) to protect pumps.

27. **NEVER** use hot water with your power washer. It will overheat and damage the high pressure pump.
28. **NEVER** leave the power washer unattended while it is powered "ON".
29. **ALWAYS** turn the water supply on before turning the power washer power to on. Running the pump dry will cause damage to the internal components.

30. **NEVER** use a water supply to your power washer that exceeds 150 PSI maximum.
31. **NEVER** disconnect the high pressure hose from the power washer while the system is pressurized.
32. **NEVER** permanently engage the trigger mechanism on the spray gun.
33. **NEVER** operate the power washer unless all components are properly and securely connected.
34. **NEVER** allow the power washer pump to run for more than one minute after you have turned off the water supply. This can cause the motor and pump to overheat and fail.
35. **NEVER** use lances or other parts that are not compatible for this specific AR Blue Clean unit.
36. **NEVER** use an extension power cord since it defeats the effectiveness of the GFCI (For US unit only) and increases the chance of electrocuting the operator.
37. **NEVER** spray any electrical outlet with your power washer.
38. Inspect the power cord before using. **DO NOT** use it if it is damaged.
39. Stay alert - watch what you are doing.

## KEEP THESE INSTRUCTIONS FOR FUTURE REFERENCE.

Ground Fault Circuit Interrupter Protection (For US unit only):

This pressure washer is equipped with a ground-fault circuit-interrupter (GFCI) built into the plugs of the power-supply cord. This device provides additional protection from the risk of electric shock and have automatic detection function to detect whether the additional protection function is invalid. Should replacement of the plug or cord become necessary, use only identical replacement parts that include GFCI protection.

This product must be grounded. If it should malfunction or breakdown, grounding provides a path of least resistance for electric current to reduce the risk of electric shock. This product is equipped with a cord having an equipment-grounding conductor and a grounding plug. The plug must be plugged into an appropriate outlet that is properly installed and grounded in accordance with all local codes and ordinances.

DANGER – Improper connection of the equipment-grounding conductor can result in a risk of electrocution. Check with a qualified electrician or service personnel if you are in doubt as to whether the outlet is properly grounded. Do not modify the plug provided with the product – if it will not fit the outlet, have a proper outlet installed by a qualified electrician. Do not use any type of adaptor with this product.



**Note:** See page 12 for operating instructions.

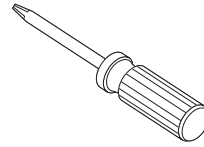
## SAFETY INFORMATION

Before beginning assembly of product, make sure all parts are present. Compare parts with package contents list and hardware contents list. If any part is missing or damaged, **DO NOT** attempt to assemble the product.

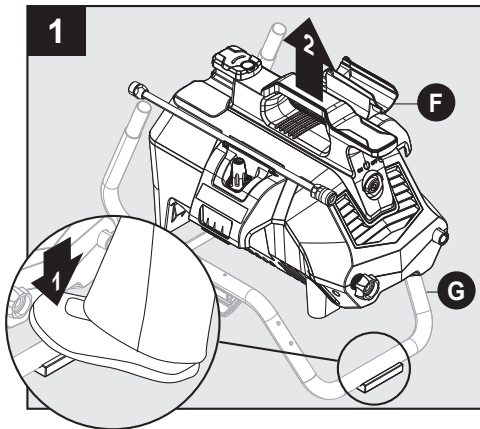
Please call customer service at 1-866-235-5112. Replacement parts will be sent no charge.

Estimated Assembly Time: 5 minutes.

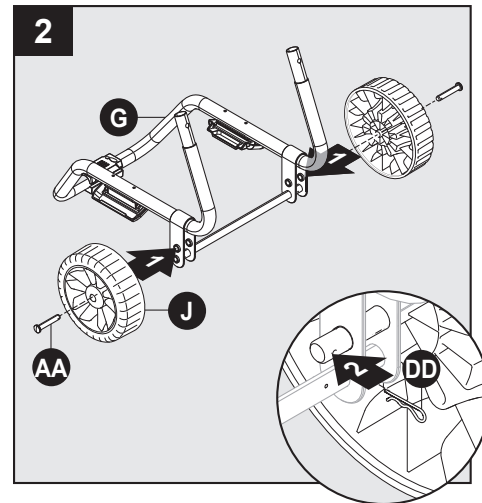
Tools Required for Assembly (not included): Phillips screwdriver.



## ASSEMBLY INSTRUCTIONS





Place a foot on the pad at the front of the lower frame (G) and then lift the power washer unit (F) off the frame. Set pressure washer (F) to the side.



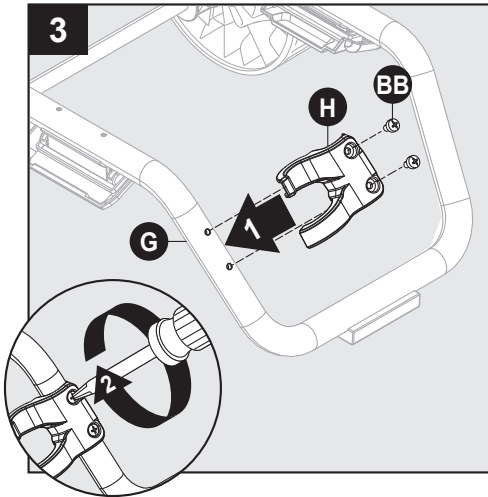
### Frame Assembly

Install axle pins (AA) and wheels (J) to lower frame (G). Secure with cotter pins (DD).

### Hardware Used:


- |                       |   |     |
|-----------------------|---|-----|
| <b>AA</b> Axle Pins   |  | x 2 |
| <b>DD</b> Cotter Pins |  | x 2 |

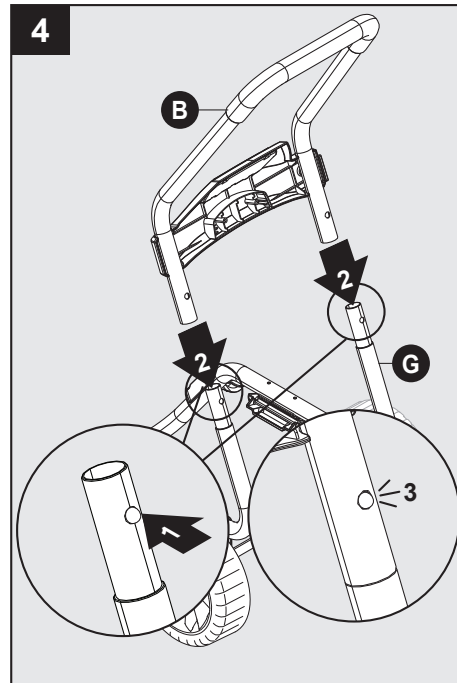
## ASSEMBLY INSTRUCTIONS



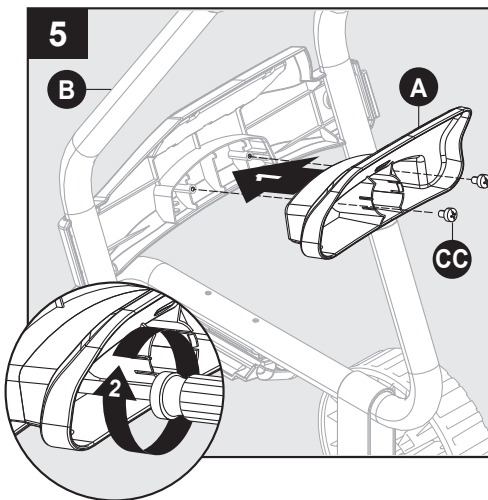
Install nozzle holder (H) to lower frame (G). Secure with two screws (BB).

### Hardware Used:

**BB** Screws  x 2

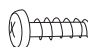


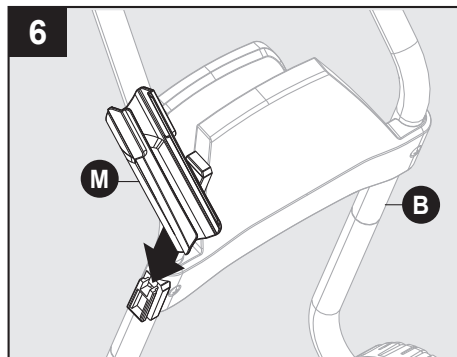
Press buttons on lower frame (G) extensions and install handle (B). Lower frame extensions will click when handle is in proper position.



Install hose holder (A) onto back side of upper handle (B). Secure with two screws (CC).

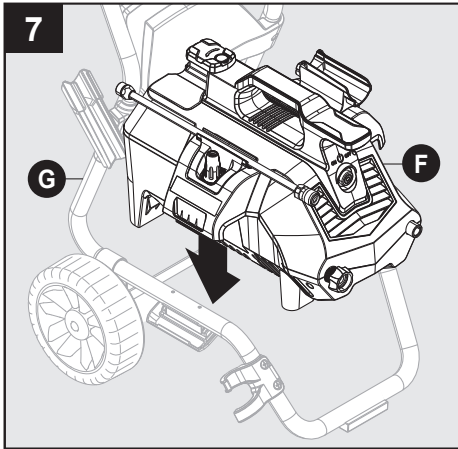
### Hardware Used:

**CC** Screws  x 2

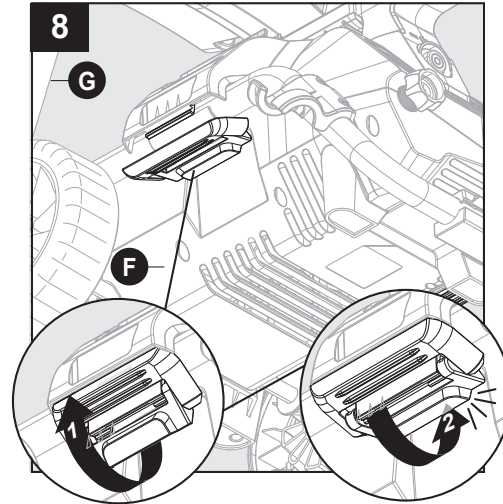


Slide spray gun holster (M) into place on the upper handle (B).

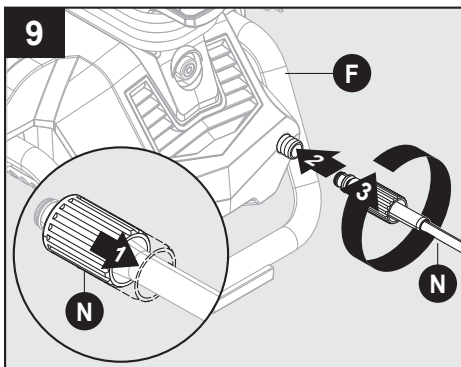
## ASSEMBLY INSTRUCTIONS



Place power washer unit (F) into position on the lower frame (G).



Pull upward on latches that are located on sides of lower frame (G). Once upper latch is flush with the lower lip, push down until lower latch clicks into place.

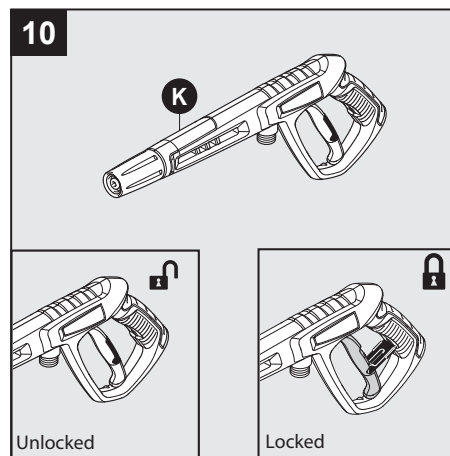


### High-Pressure Hose Assembly

Pull back on collar at either end of the high pressure hose (N). Push center-post firmly into outlet pipe on power washer unit (F). Twist collar to secure. Confirm hose is locked into power washer unit by slightly pulling on hose. The hose is now securely attached.

**WARNING:** Failure to properly tighten the high-pressure hose may cause the hose to slip or disconnect when the unit is turned on. This can result in sudden water discharge or loss of pressure. Always ensure the hose is fully threaded and secure before operation.

**Note:** **DO NOT** use pliers or locking pliers to tighten.



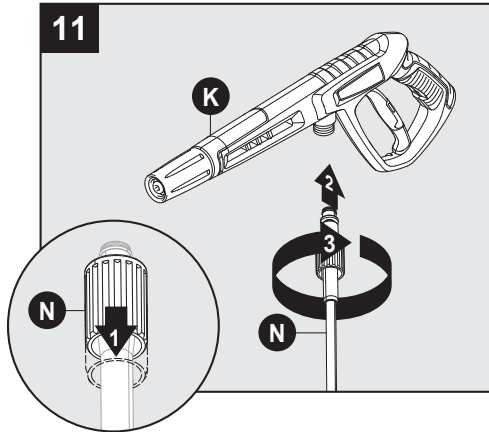
### Locking Spray Gun (Before Lance Installation)

To lock trigger of spray gun (K), point gun away from you and fully open trigger lock to lock trigger in place.

Squeeze or pull trigger to make sure it is locked. ALWAYS leave in locked position when not in use. This ensures the gun is in "safe" mode until it is ready for use. Close trigger lock to unlock to release spray gun trigger.

**Note:** The trigger lock prevents trigger from being accidentally engaged.

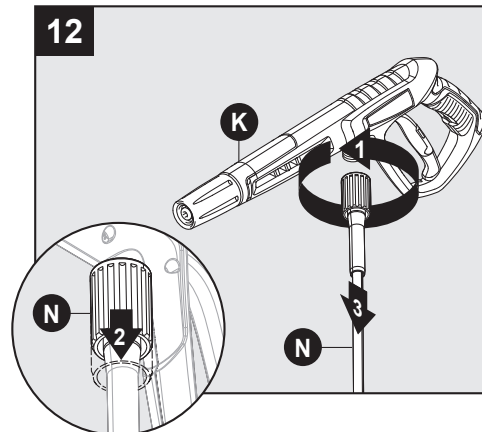
## ASSEMBLY INSTRUCTIONS



### High-Pressure Hose Assembly

Pull back on collar at other end of the high pressure hose (N). Push center-post firmly into spray gun (K). Twist collar to secure. Confirm hose is locked into spray gun by slightly pulling on them. The hose is now securely attached to spray gun.

**Assembly Tip:** Apply white lithium grease or silicone grease to O-rings on the spray gun (K) barrel and both ends of high-pressure hose (N) to make connection and disconnection easier!

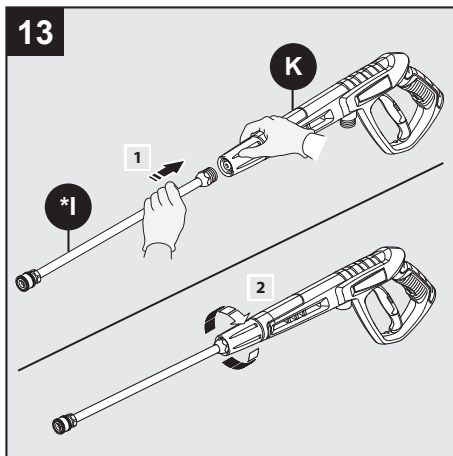


### High-Pressure Hose Disassembly

To remove high-pressure hose, twist collar then pull back to release the the high pressure hose (N) connection from the gun (K).

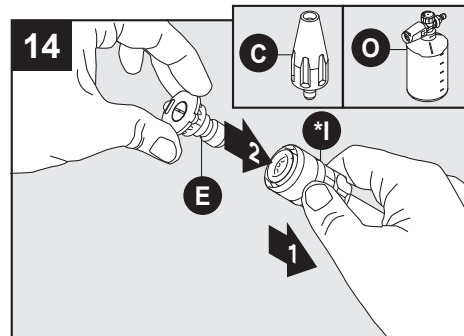
**IMPORTANT:** Before removing the high-pressure hose, always power off the machine, then pull the trigger on the spray gun 2-3 times. This will release any remaining water pressure in the system and help prevent sudden spray or difficulty disconnecting the hose.

**IMPORTANT:** Always disconnect the spray gun and high-pressure hose after each use. This prevents mineral buildup on the threads and makes future disassembly much easier.



### Lance Installation

While spray gun (K) is in the locked position, insert lance (\*I) into the end of spray gun by firmly inserting and turning clockwise until fully in place. To remove, turn counterclockwise.

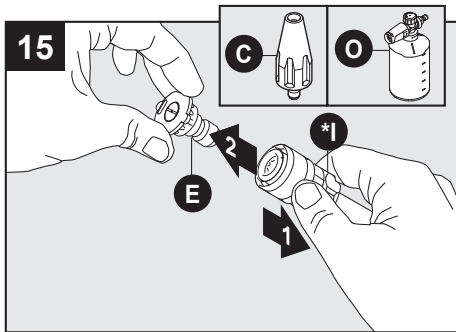


### Nozzle, Rotary Nozzle, Foam Cannon Assembly

Pull back on collar of lance (\*I) and attach nozzle (E), rotary nozzle (C) or foam cannon (O) into end of lance (\*I) by pressing selected nozzle into place. It will make a "click" sound when firmly in place.

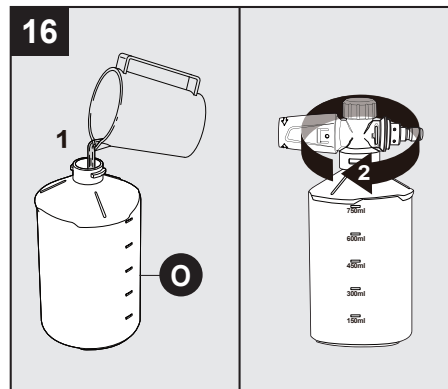
**Note:** Always lock spray gun trigger lock when changing lances and nozzles to ensure that they do not accidentally eject with force during removal.

## ASSEMBLY INSTRUCTIONS



### Nozzle, Rotary Nozzle, Foam Cannon Disassembly

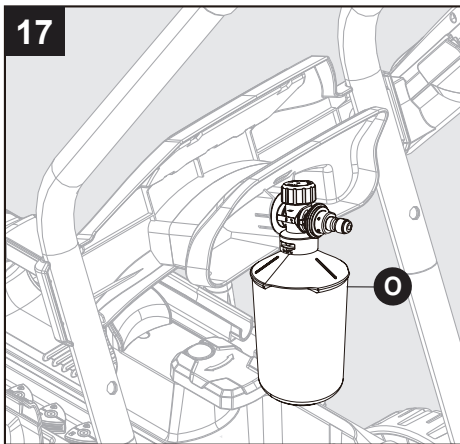
To remove nozzle (E), rotary nozzle (C) or foam cannon (O), pull back on collar of lance (\*1) and pull out nozzle (E), rotary nozzle (C) or foam cannon (O).



### Foam Cannon Installation

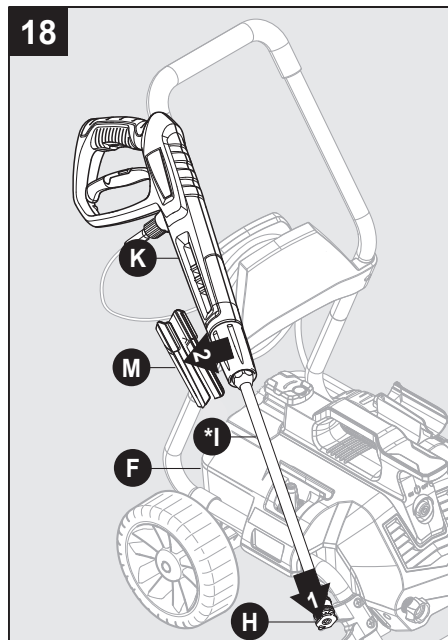
The foam cannon (O) comes with a straw which is fitted into high pressure top. If you do not see the straw, look inside the foam cannon and attach it to the high pressure top. When using foam cannon, fill it with a properly formulated detergent or cleaner with a water ratio according to instructions on the container.

- **DO NOT** use thick or gel-like detergents as they will clog the foam cannon and can cause damage.



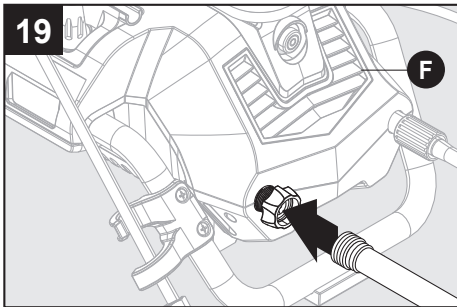
### Foam Cannon Storage

Store the foam cannon (O) on the back of the power washer unit (C).



Insert extension lance (\*1) into nozzle holder (H), and press spray gun (K) with extension lance (\*1) into spray gun holster (M).

## ASSEMBLY INSTRUCTIONS



Attach a garden hose to built in garden hose adapter. The water is now connected to your power washer.



### **CAUTION - Flush Before Connecting:**

Always flush your garden hose before connecting it to the garden hose adapter. This helps prevent debris from entering the pump and causing damage.



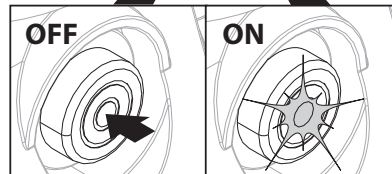
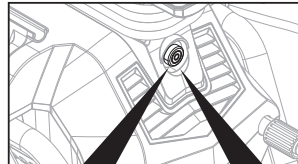
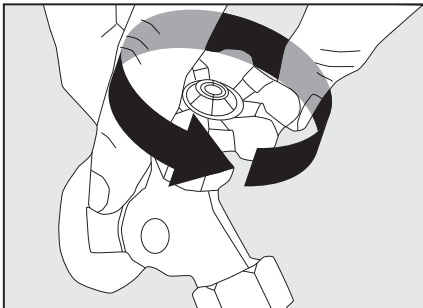
### **CAUTION - Thread Seating:**

Ensure the garden hose threads seat fully against the o-ring inside the garden hose adapter (GHA). Some lightweight or expandable hoses may have short threads that do not seat properly. This can lead to leaks, reduced performance, or difficulty maintaining pressure.

Adding a garden hose washer behind the filter can reduce the necessary thread length. Garden hose washers are purchasable at most hardware stores.

## OPERATING INSTRUCTIONS

1. Check all connections are secure.



2. Turn on the water supply at the faucet until fully open.
3. Remove the power cord from the unit by swiveling the cord hook to the right or left.
4. Connect GFCI plug directly to a 15 amp, 120 volt outlet.
5. Test GFCI. (See operating tips on page 13.)
6. Release the safety lock lever on the trigger by pressing the lever down and into the trigger.
7. Point the spray gun in a safe direction.
8. Purge air from the line by squeezing the trigger on the spray gun until there is a steady stream of water and air bubbles stop.
9. Continue to squeeze the trigger.
10. Push the power switch in. (Switch will light up when ON.)
11. Allow to run at least 10 seconds before releasing the trigger.
12. Release the spray gun trigger to stop the power washer. This is a normal function of the auto start feature.
13. Begin cleaning by squeezing the trigger on the spray gun.

## OPERATING INSTRUCTIONS

### Usage Tips

- Always position the pressure washer in front of you when connecting the high-pressure hose to ensure proper alignment.
- Hand-tighten all hose fittings. Do not use tools like pliers or locking pliers.
- After turning off the unit, pull the trigger on the spray gun 2-3 times to release any remaining pressure before disconnecting hoses or accessories.

### Warnings



#### **WARNING – Do Not Run Dry:**

Never operate the pressure washer without water. Running the pump dry will cause permanent damage and void the warranty.



#### **WARNING – Hose Connection:**

Ensure the high-pressure hose is fully threaded (at least six full turns). An improperly connected hose may detach under pressure.



#### **WARNING – Electrical Safety:**

This unit includes a GFCI plug for added protection. Do not bypass or replace it with a non-GFCI plug. Use only identical replacement parts.

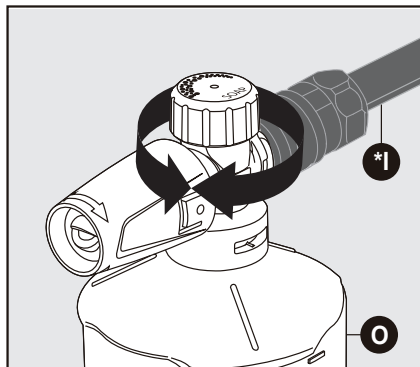
### Operation Tips

- **Note:** Test the GFCI (For US unit only) before each use:
  1. Plug GFCI into power outlet. Indicator should turn green to show that cord has power.
  2. Press test button, green indicator should turn off to verify that GFCI cut off power to the cord.
  3. Press reset button – green indicator should turn on to show that cord has power again.
  4. When GFCI is working properly, green indicator will turn on when power is applied. If green indicator turns off, it has detected electric leakage and the GFCI cut off power to the appliance.
- If you hear the motor run intermittently when the trigger is not being squeezed, that is normal. The pump is priming itself so it is ready to operate when the trigger is squeezed. Turn off the power washer if not being used after five minutes.
- The o-rings on both ends of the high-pressure hose and the barrel of the spray gun should be cleaned regularly and lubricated with non-water soluble grease such as petroleum jelly, white lithium grease, or silicone grease.

- Keep the nozzle cleaning wire for use in unclogging the nozzle. If you lose the cleaning wire, any other straight, thin wire works.

### How to Avoid Damaging Surfaces

- Damage to surfaces being cleaned occurs because the impact force of the water pressure exceeds the durability of the surface. Bare wood can be penetrated, paint can be peeled off, etc. You can vary the force of your power washer by controlling:
  1. The angle of the surface being cleaned.
  2. The distance of the nozzle from the surface being cleaned.
- **Never** use a narrow high pressure stream of water on soft surfaces susceptible to damage.
- Use the 25° quick connect nozzle when cleaning windows. Squeeze the trigger and vary the spray pattern and angle until optimum cleaning efficiency is achieved.

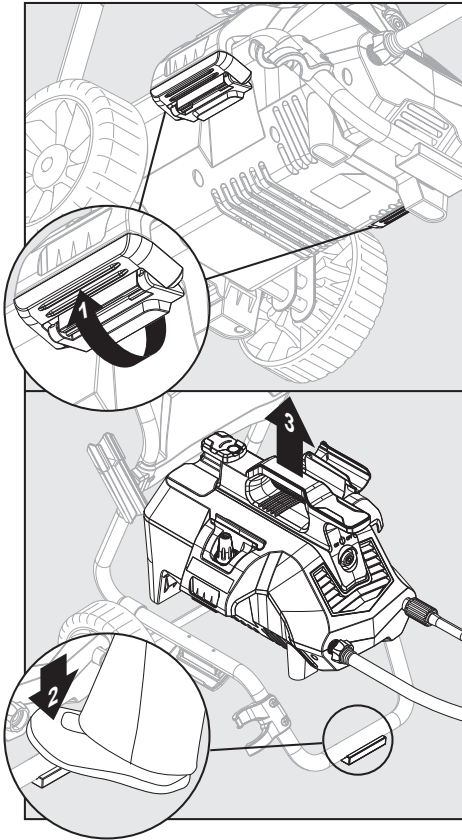


### Adjusting Soap Levels on Foam Cannon

Twist knob to adjust the level of soap as indicated on the top of the Foam Cannon (O). Twist toward the higher concentration of bubbles for more soap, or the opposite direction for less.

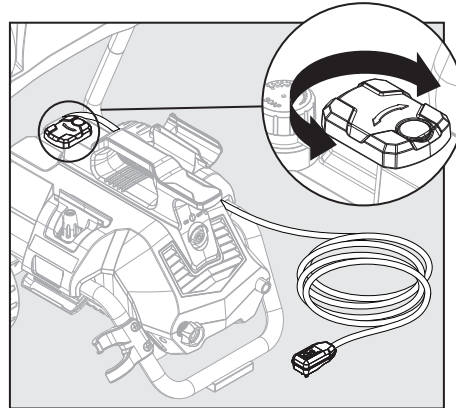
At the maximum end, the power washer will pull a ratio of water to detergent of 10:1 or 10 parts water to 1 part detergent. At the minimum end, the ratio reduces to 20:1.

## OPERATING INSTRUCTIONS



### Removing Power Washer Unit from Frame for Handheld Operation

Locate latches on the lower side of frame. Unlock latches by pulling downward on the latches. Place a foot on the pad at the front of the lower frame and then lift the power washer unit off the frame.



### Using Power Cord

- Remove the power cord from the unit by swiveling the cord hook to the right or left. The power cord then can be slid off to either side of the power washer unit.
- Swivel cord hook back to center when ready to wrap the cord back into place for storage.

## CARE AND MAINTENANCE

### Using Detergent

You can use pressure washer-safe detergents for a variety of cleaning tasks. These are available at most hardware and home improvement stores.

### Tips for Best Results:

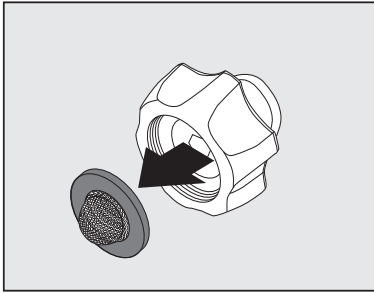
- Use only detergents designed for pressure washers.
- The detergent should be as thin as water to avoid clogging the detergent bottle or nozzle.
- This system applies detergent at low pressure, which helps the detergent break down dirt and grime more effectively.

- Always apply detergent to a dry surface. Pre-wetting the area will dilute the detergent and reduce its cleaning power.
- When cleaning vertical surfaces, apply detergent from the bottom up to avoid streaking.
- Rinse detergent off from the bottom up as well for even results.
- For tough stains, reapply detergent and use a soft or bristled brush before rinsing.

## CARE AND MAINTENANCE

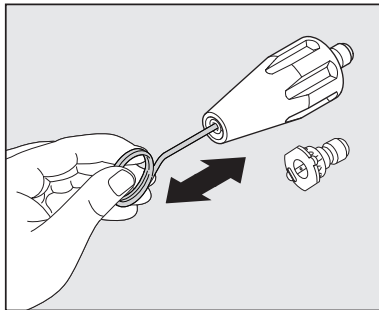
### Cautions:

- ⚠ Do not allow detergent to dry on the surface. This can leave residue or cause streaking.
- ⚠ Do not use thick or undiluted cleaners. They may clog the detergent system.
- ⚠ Always rinse thoroughly after cleaning. Leftover detergent can damage surfaces or attract dirt.



### Hose Adapter

The screen inside the adapter should be cleaned periodically. Remove it by dragging a thumb over the screen with enough pressure to pull the screen and washer out. Rinse it with clean water and then place it back in the adapter.



### Cleaning Nozzles

- A clogged or partially clogged nozzle can cause significant reduction of water pressure coming out of the nozzle and/or cause the unit to pulsate while spraying.
- Turn off the unit.
- Turn off the water supply to the unit.
- Relieve any pressure trapped in the hose by powering off the machine, then pull the trigger on the spray gun while pointing in a safe direction.
- Using the nozzle tip cleaner provided (or another thin, straight wire), insert the wire into the nozzle hole and move back and forth until debris is dislodged.

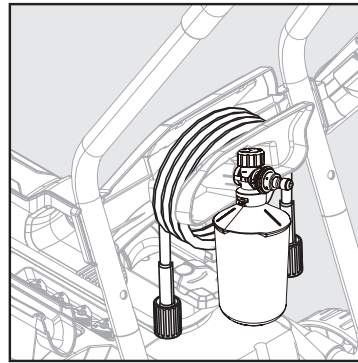
- Back flush water through the nozzles using garden hose and highest pressure available (either standard water nozzle or use your thumb over the nozzle to create water pressure for back flush).

### Shutting Down & Storing Your Pressure Washer

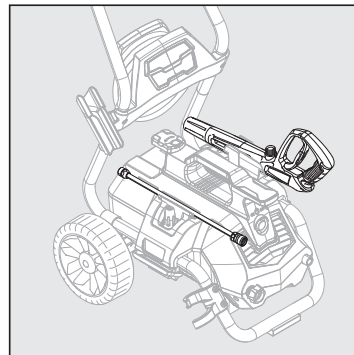
#### Step-by-Step Shutdown

1. Turn off the power switch on the front of the unit.
2. Unplug the power cord from the electrical outlet.
3. Turn off the water supply at the source.
4. Pull the trigger on the spray gun 2-3 times to release any remaining water pressure.
5. Disconnect the garden hose from the water inlet.

### Storage Instructions

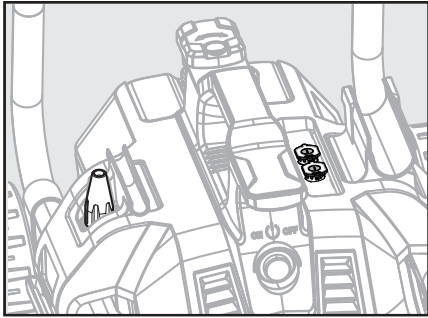


- Remove the high-pressure hose from the spray gun and store it on the hose hook (located on the back of the unit).



- Remove the lance from the spray gun. Place the gun in the holster and the lance in the designated slot on the top of the unit.

## CARE AND MAINTENANCE



- Store the nozzle and rotary nozzle in their holders on both sides of the unit.
- Empty any remaining detergent from the bottle. Residual chemicals can harden, contaminate the container, and clog the detergent injector.
- Flush the detergent bottle and nozzle head with clean water to prevent buildup.
- Wind the power cord around the L-shaped hooks located on the top of the machine.

### **! CAUTION - Do Not Store in Freezing Conditions:**

Never store the pressure washer in areas where temperatures may drop below freezing without proper winterization. Water left inside the unit can freeze, expand, and cause permanent internal damage.

### **! CAUTION - Use Pump Antifreeze for Cold Storage:**

If storing the unit in a garage, shed, or other unheated space, use an antifreeze product designed for pressure washer pumps to protect internal components from freezing.

### **! CAUTION - Pump Saver Recommended:**

For added protection during cold storage, apply a pump saver (not included). It helps prevent freezing, corrosion, and seal damage during long-term storage.

## PUMP SAVER

**Pump Saver** is a product that protects and prolongs the life of the pump. This will keep the internal parts of the pump lubricated and protected from freezing while being stored in ALL climates. It also assists with protection from internal corrosion. The AR Blue Clean part #: PW64511(16oz. bottle). Order online at [www.arblueclean.com](http://www.arblueclean.com)

### **Pump Saver Instructions**

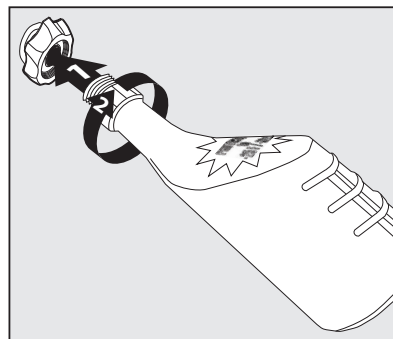
Follow the previous storage instructions for your power washer. To prevent staining, protect the surface under the power washer from any excess fluid. Wear eye protection when using this product.

Turn unit off and disconnect the gun before adding pump Saver. Unscrew threaded top from bottle to remove seal and reattach threaded top to bottle. Remove black cap from bottle.

- 1) Place top of pump saver bottle onto the garden hose adapter.
- 2) Secure pump saver bottle by turning in a clockwise direction.

- 3) Turn the power on.
- 4) Squeeze bottle to help it into the pump.
- 5) Turn power off when pump saver exits the machine's water outlet.

**Note:** Instructions on Pump Saver Bottle are generic and not model specific.



## TROUBLESHOOTING

If you have any questions regarding the product, please call customer service at 1-866-235-5112.

PROBLEM	POSSIBLE CAUSE	SOLUTION
Low pressure	Motor is not running.	See "Power doesn't turn on" section of troubleshooting.
	Other	Contact customer service.
Low or No Waterflow (with or without power)	Insufficient water supply	<ul style="list-style-type: none"> <li>- Ensure supply hose is ON.</li> <li>- Must deliver 4-6 GPM pressurized water.</li> <li>- Test garden hose flow with stopwatch and 5 gallon bucket. Should fill in range of 50-70 seconds.</li> </ul>
	Kinked hose	<ul style="list-style-type: none"> <li>- Straighten all hoses.</li> <li>- Replace any kinked high-pressure hose.</li> </ul>
	Clogged Garden Hose Adapter Filter	<ul style="list-style-type: none"> <li>- Check for debris.</li> <li>- Clean or replace as needed.</li> </ul>
	Clogged Nozzle	<ul style="list-style-type: none"> <li>- Remove nozzle and test without it.</li> <li>- See "Nozzle Cleaning" in Care &amp; Maintenance.</li> <li>- Replace if faulty.</li> </ul>
	Internal blockage	<ul style="list-style-type: none"> <li>- Start at the end of water path and remove parts one-by-one.</li> <li>- Look for blockage or water flow issue.</li> <li>- Clean or replace blocked part.</li> <li>- Contact customer service or see the online troubleshooting guide.</li> </ul>
Power doesn't turn on	GFCI Failure	Test the GFCI as described on page 13. Replace if faulty.
	Clogged Nozzle	<ul style="list-style-type: none"> <li>- Remove nozzle and test.</li> <li>- Clean or replace nozzle as needed (see "Nozzle Cleaning")</li> </ul>
	TSS (Total Stop System) is engaged and trigger isn't pulled	Squeeze the trigger to activate the motor when power is on. (Machine only runs when trigger is pulled.)
Surging power or pressure	Clogged Nozzle	<ul style="list-style-type: none"> <li>- Remove nozzle and test.</li> <li>- Clean or replace as needed (see "Nozzle Cleaning").</li> </ul>
Water leaks at connection	Missing or damaged O-ring.	- Replace O-ring(s).

## LIMITED WARRANTY

This product is backed by a "2-year limited warranty" provided by A.R. North America.

### **Year 1 - Full Coverage ("Bumper to Bumper")**

For the first year from the date of purchase, this product is warranted to the "original retail consumer" against defects in materials and workmanship. This includes:

- Spray gun
- High-pressure hose
- All included accessories

This is a "non-transferable" warranty and applies only to "consumer use". It is "void" if the product is used for rental or commercial purposes.

### **Year 2 - Limited Coverage**

The second year of coverage applies "only to manufacturer defects". Accessories are not covered during this period.

#### Warranty Conditions

- Reasonable care must be taken during use, following all instructions in the "Owner's Manual" and "Quick Start Guide".
- Failure to follow operating or maintenance instructions will "void the warranty".
- This warranty gives you specific legal rights. You may also have other rights that vary by state.

#### **Warranty Claims**

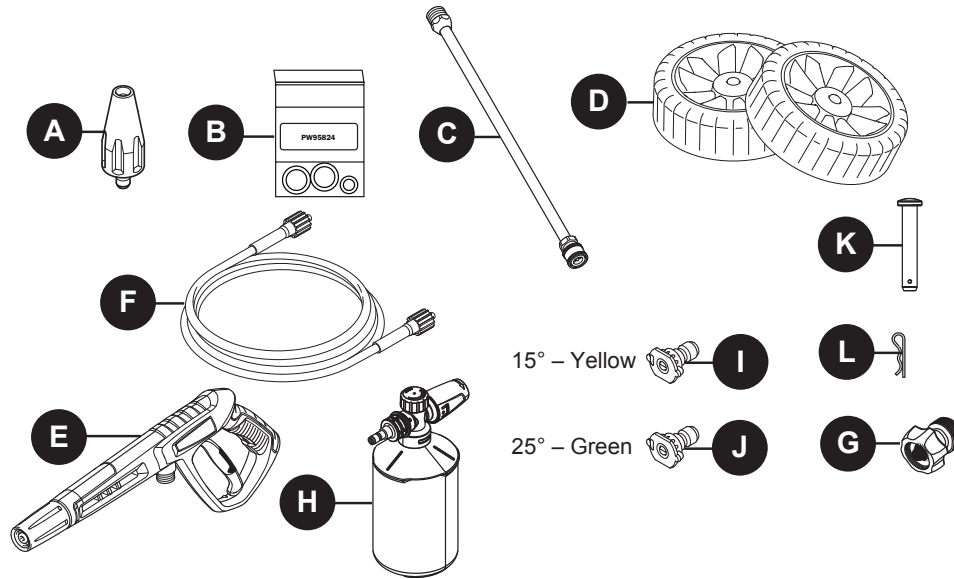
Keep your "original purchase receipt" for any warranty claims.

#### **For further assistance:**

- Call "Customer Service" at "1-866-235-5112"
- Available "Monday-Friday, 8:00 a.m. - 5:00 p.m. CST"
- A representative will assist you with troubleshooting and next steps.

## REPLACEMENT PARTS LIST

For replacement parts, call our customer service department at 1-866-235-5112, 8 a.m. - 5:00 p.m., CST, Monday - Friday or order online at [www.arblueclean.com](http://www.arblueclean.com)



PART	DESCRIPTION	PART #
A	Rotary Nozzle	PW6120330
B	O-Ring Replacement Kit	PW95824
C	Extension Lance	PW6120310
D	Wheel	PW4980120
E	Spray Gun	PW6120302
F	High Pressure Hose	PW4223470
G	Garden Hose Adapter	PW4221570

PART	DESCRIPTION	PART #
H	High Pressure Foam Cannon	PW4620265
I	15° QC Nozzle	PW4223080
J	25° QC Nozzle	PW4223090
K	Axle Pin	PW4620940
L	Cotter Pin	PW4620380

Printed in Vietnam